

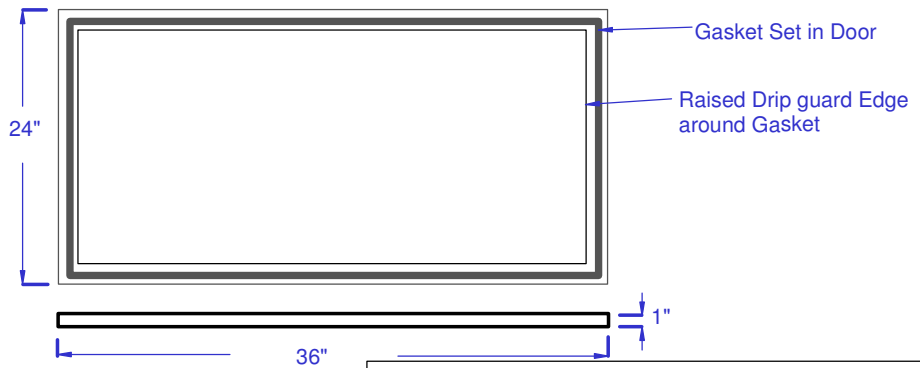
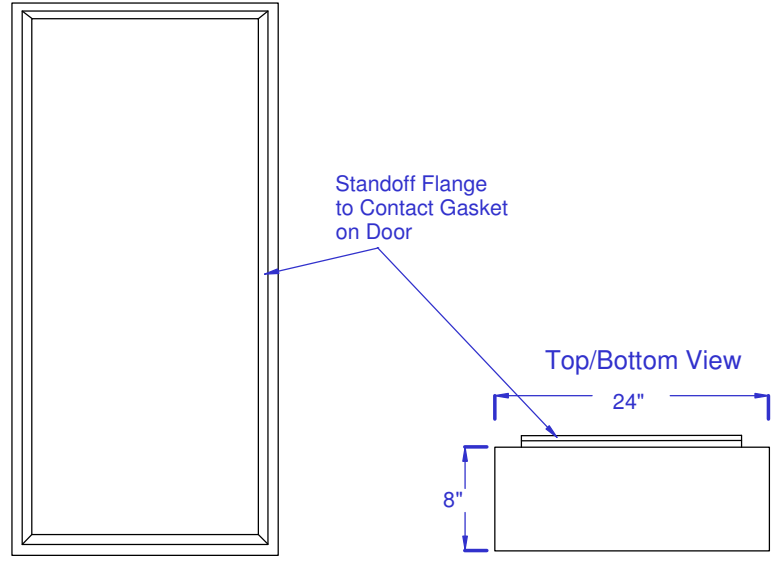
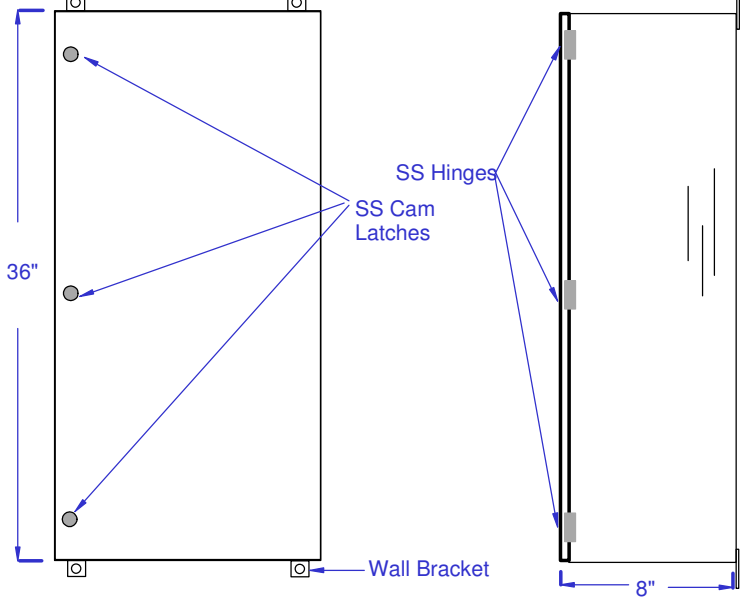
Closed Doors

Side View

Open View


Top/Bottom View

Inside View Of Door



Approval: \_\_\_\_\_

Date: \_\_\_\_\_

	<b>Approvals</b> Drawn By J. Lamb Approved By N/A		<b>Date</b> 3/15/11	<b>DuraBox Series</b>	
	<b>TITLE</b> 24"WX8"DX36"H SS Wall Mount Electrical Box				
<b>PROPRIETARY</b> <small>THIS DOCUMENT AND THE DATA DISCLOSED HEREIN OR HERewith IS NOT TO BE REPRODUCED, USED OR OTHERWISE DISCLOSED IN WHOLE OR IN PART TO ANYONE WITHOUT THE WRITTEN AUTHORIZATION FROM G2 AUTOMATED TECHNOLOGIES, LLC</small>		<b>SIZE</b> N/A	<b>CAGE CODE</b>	<b>DWG NO</b> GAT-ELEC-CE-24368-WM-SS	<b>REV</b>
<b>A4</b>			<b>SCALE</b>	<b>SHEET</b>	